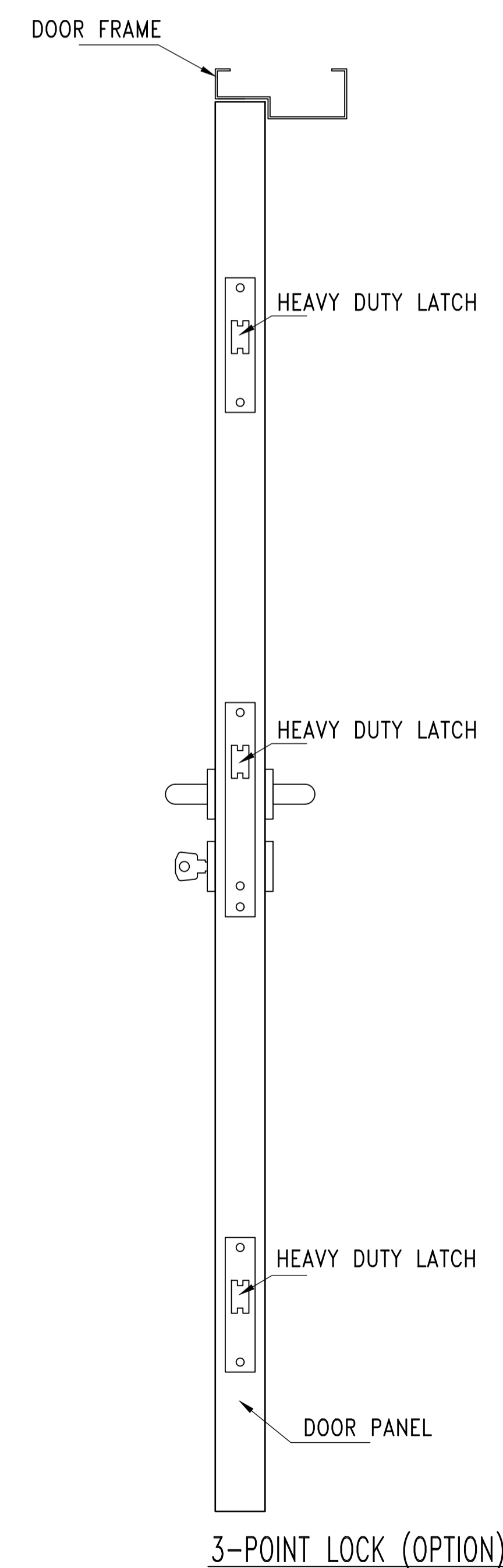
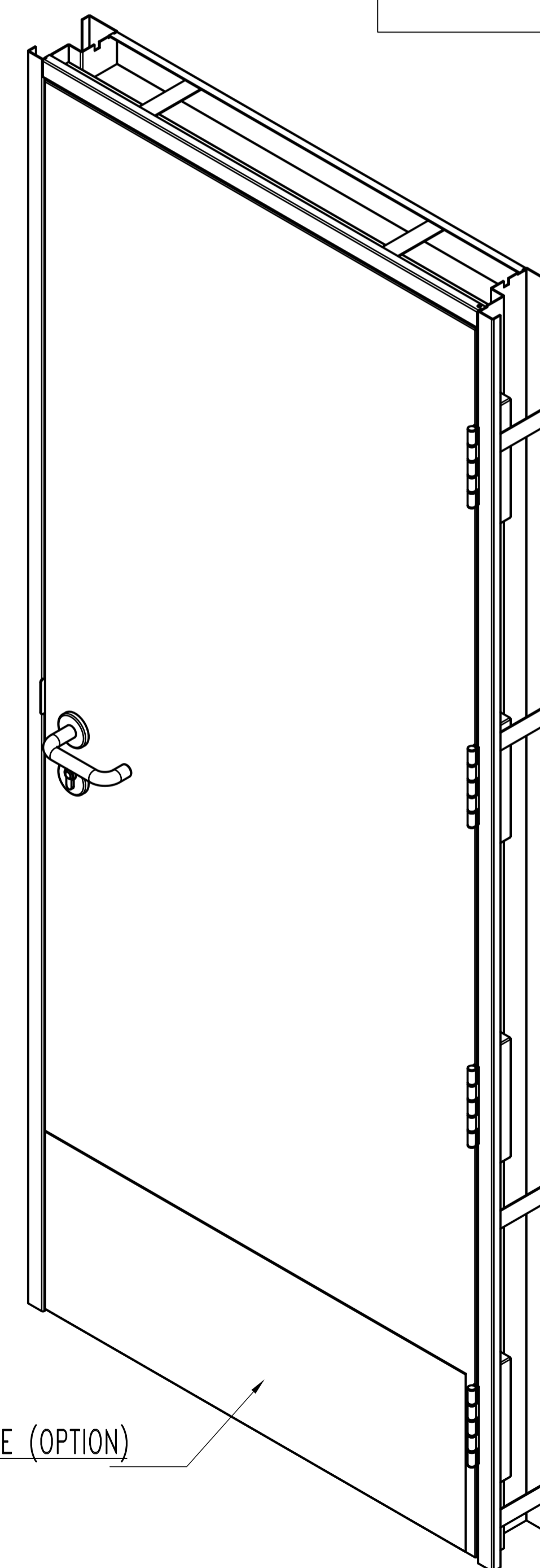
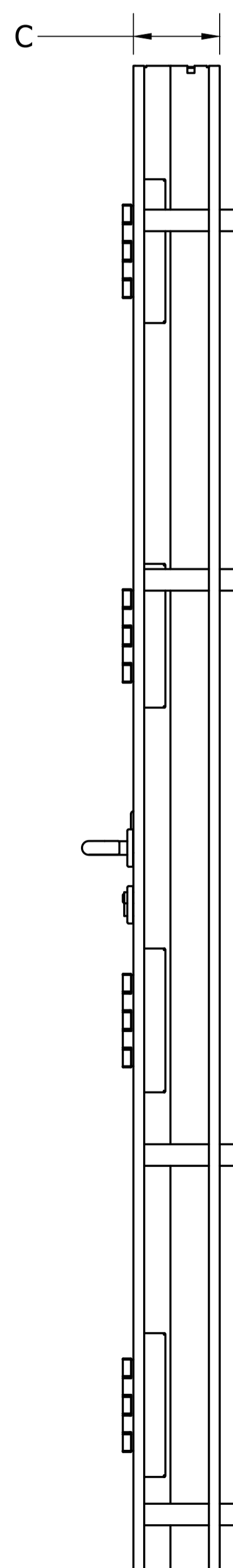
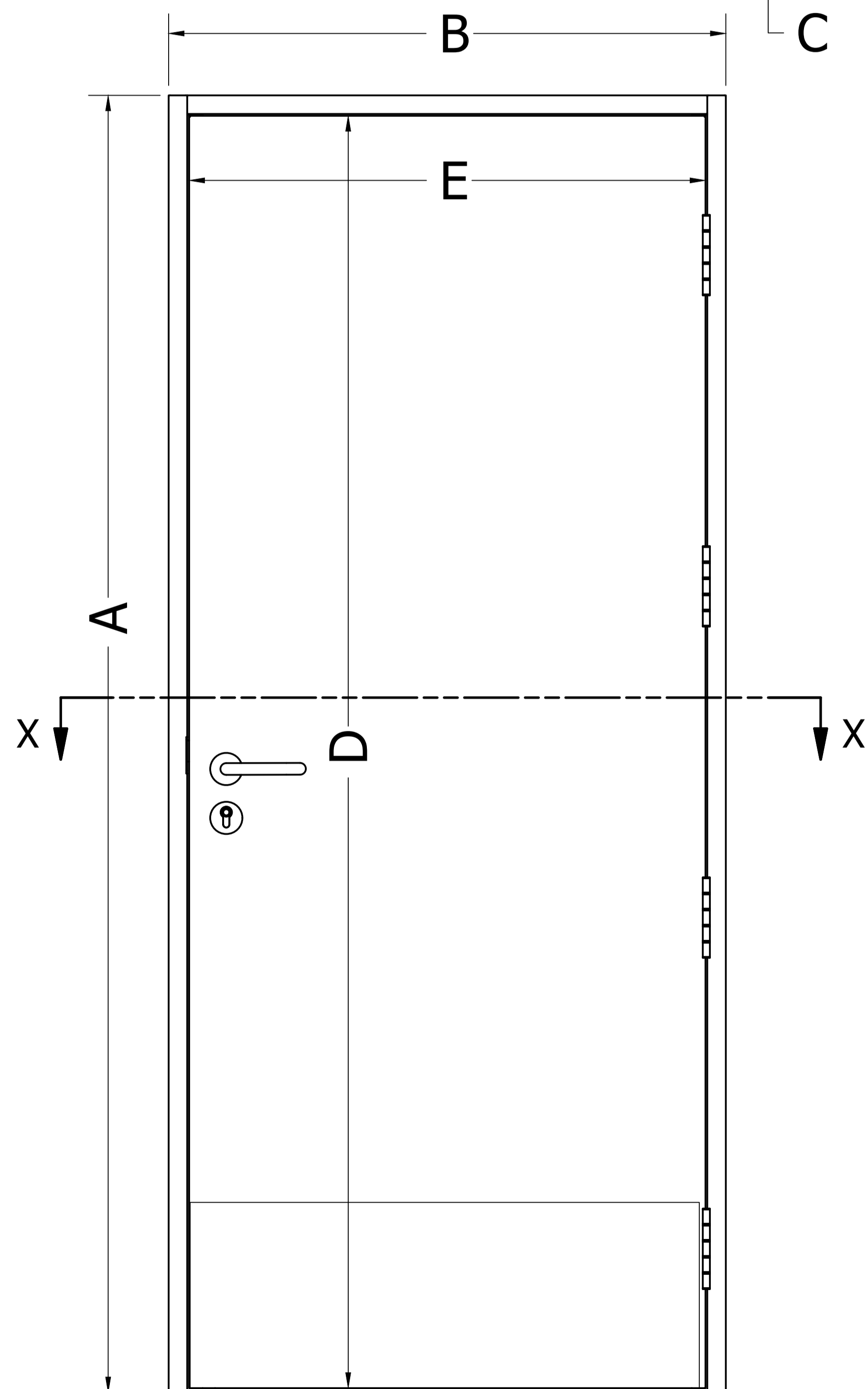


SECURITY STUD STAINLESS STEEL HINGE
STANDARD

SECURITY DOOR	
DOOR SIZE (mm)	900 X 2120
FRAME HEIGHT-A	2120
FRAME WIDTH -B	900
FRAME DEPTH -C	120
DOOR PANEL HEIGHT -D	2080
DOOR PANEL WIDTH -E	834
DOOR PANEL THICKNESS -F	47-50



THIS DRAWING IS THE PROPERTY OF TACAM STEEL PRIVATE LIMITED AND IS NOT TO BE USED FOR ANY PURPOSE DETRIMENTAL TO ITS INTERESTS



TACAM STEEL PTE LTD
No. 541, Bukit Batok St 23, #07-00
Tacam Industrial Building, Singapore 659546
Tel : +65 66657555 Fax : +65 66659555

TITLE
SECURITY DOOR

DRG NO.
TAC-20-SD-001

SCALE : N.T.S

REV : 00