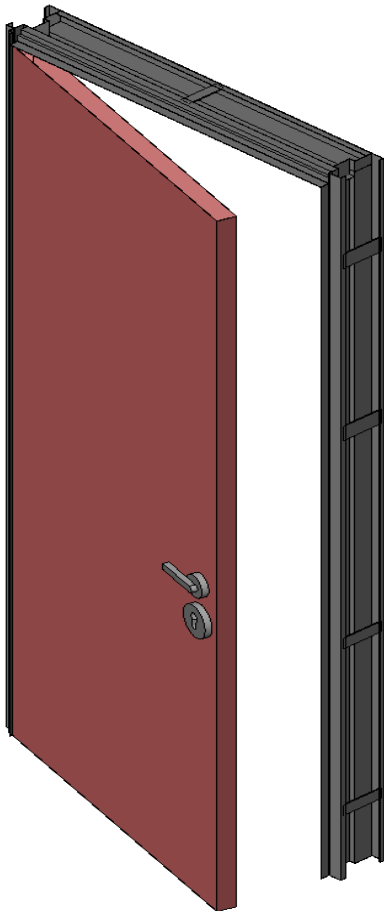


COMPLETE DOOR

4H Fire-Rated Fully Accessorized Steel Door



Fire Rating: Up to 4 hours, under BS 476:Part 22: 1987; SS 332:2007.

Doorleaf: 47mm thick door-leaves formed from 1.5 mm electrogalvanised (zinc-coated) steel skins in a sandwich construction. Opens to 120 degrees.

Frame: 1.5mm electrogalvanised (zinc-coated) steel, seam welded, recessed head-jamb. Nearly invisible jambs.

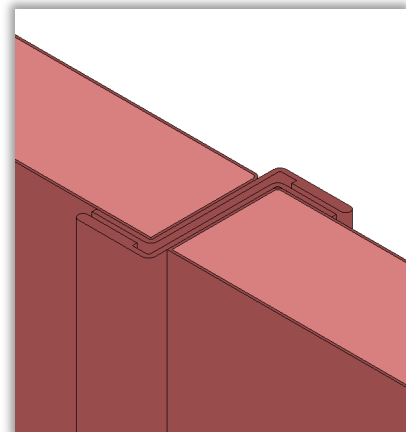
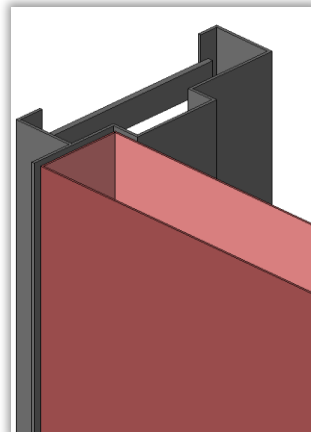
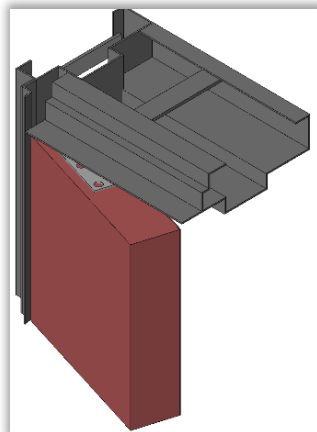
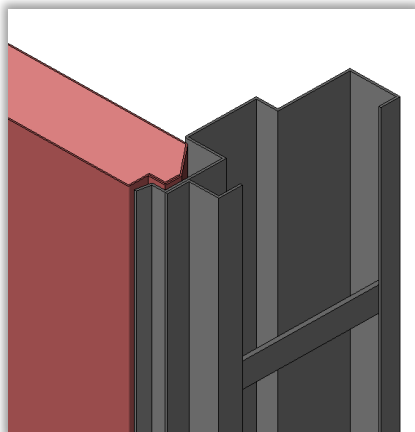
Finish: Primer coat only unless otherwise specified.

Hardware: Complete with concealed door closer and hinges. Double leaf comes complete with concealed door coordinator.

Max sizes:

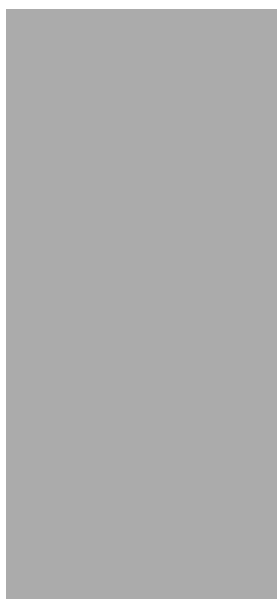
<i>Single Leaf</i>	1,500 x 3,000 mm
<i>Double Leaf</i>	3,000 x 3,000 mm
Vision Panel	300 x 1750 mm (up to 1H FR)
	225x1500mm (up to 2H FR)
	100x600mm (up to 4H FR)

Weight: Leaf ~41-51 kg/m².



COMPLETE DOOR

4H Fire-Rated Fully Accessorized Steel Door



TACAM STEEL PTE LTD