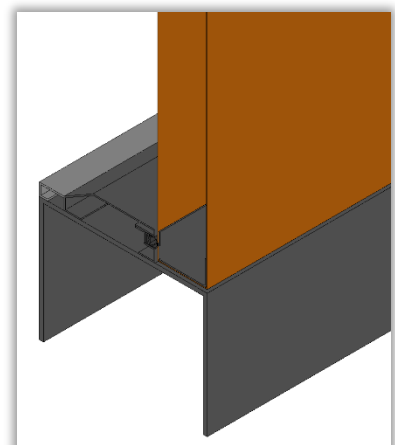
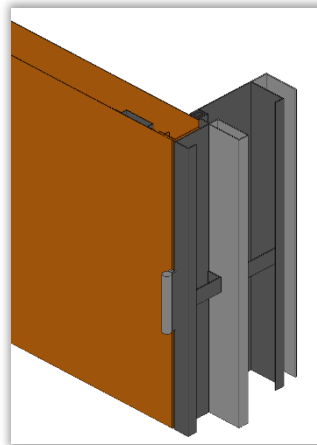
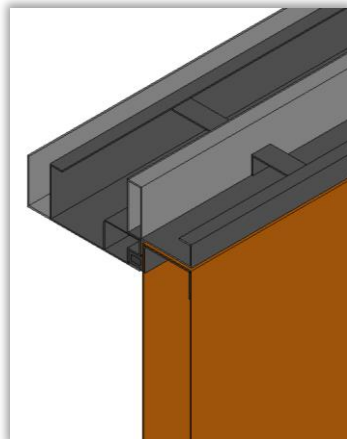
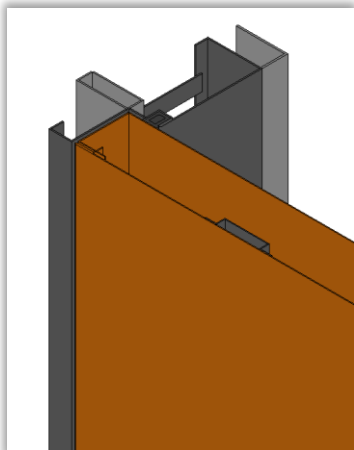


AIRLOCK

100% Airtight 4H Fire Rated Steel Doors



- Fire Rating:** Up to 4 hours. BS 476:Part 22:1987; EN 1634; SS 332:2007,
- Airtightness:** 100% airtight up to 1875Pa
- Doorleaf:** 60mm thick, using 1.5mm/1.2mm electro-galvanized (zinc-coated) steel skins reinforced with corrugated stiffener, insulated with proprietary core infill.
- Frame:** Made of 1.5 mm electro-galvanized (zinc-coated) steel, welded, recessed head-jamb, complete with mortar boxes. A four-sided frame is supplied for an uninterrupted seal all around the door opening.
- Finish:** Primer coat only unless otherwise specified.
- Hardware:** Proprietary roller and multi-point locking system included to compress seals and achieve 100% airtightness.
- Weight:** ~34 kg/m².
- Max. Size:** *Single Leaf* 1,057 x 2,270 mm



AIRLOCK

100% Airtight 4H Fire Rated Steel Doors



TACAM STEEL PTE LTD