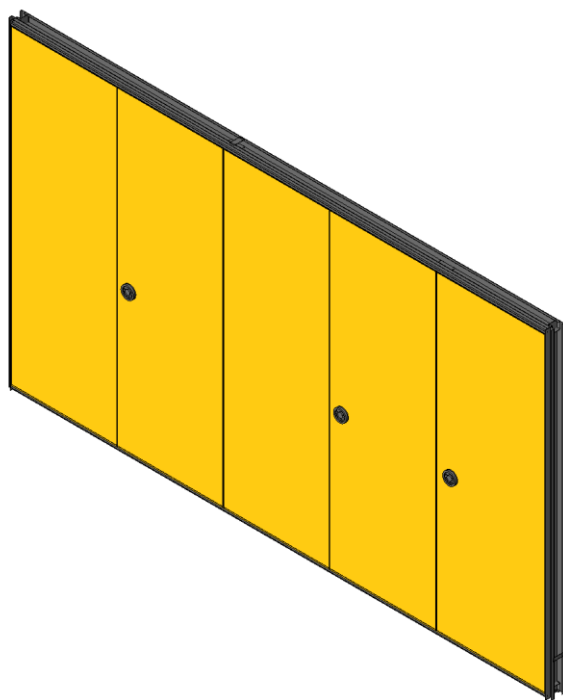


SILHOUETTE

Frameless 2H Fire-Rated Steel Utility Doors



Fire Rating: Up to 2 hours, under BS 476: Part 22; ISO 3008; SS 332:2007.

Panel: Proprietary 45 mm thick single-skin door-leaves formed from 1.5mm electro-galvanised (zinc-coated) or 1.5mm stainless steel reinforced with profiled stiffeners. For multiple leaves, the panels are formed to overlap and interlock when closed to achieve fire-performance.

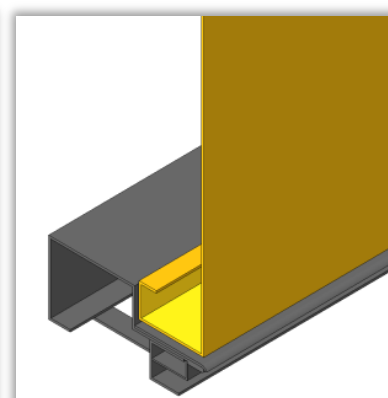
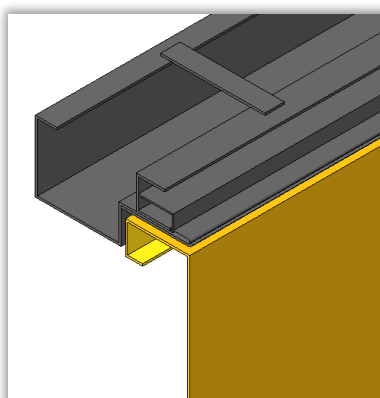
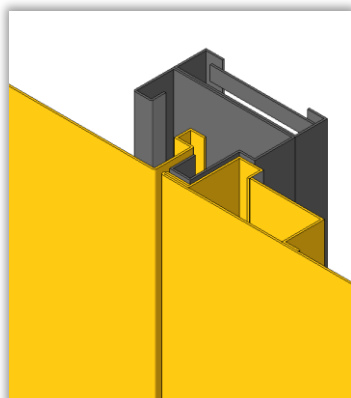
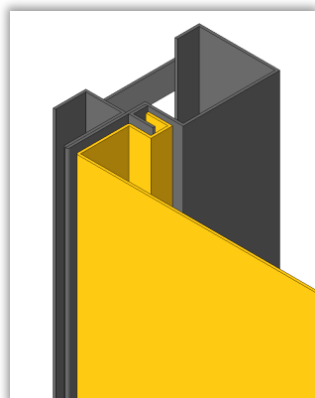
Frame: 1.5 mm electro-galvanised (zinc-coated) steel complete with reinforcement plates for door-closer(s). The proprietary doorframe is fully concealed by the door leaves.

Hardware: Comes complete with reinforcement plates for door-closer(s), proprietary concealed off-centre pivot hinges and a 3-point latching system inclusive of stainless steel flush lever, lockset-case suitable for any Euro-profile cylinders and top and bottom flush-bolts.

Finish: Primer coat only unless otherwise specified.

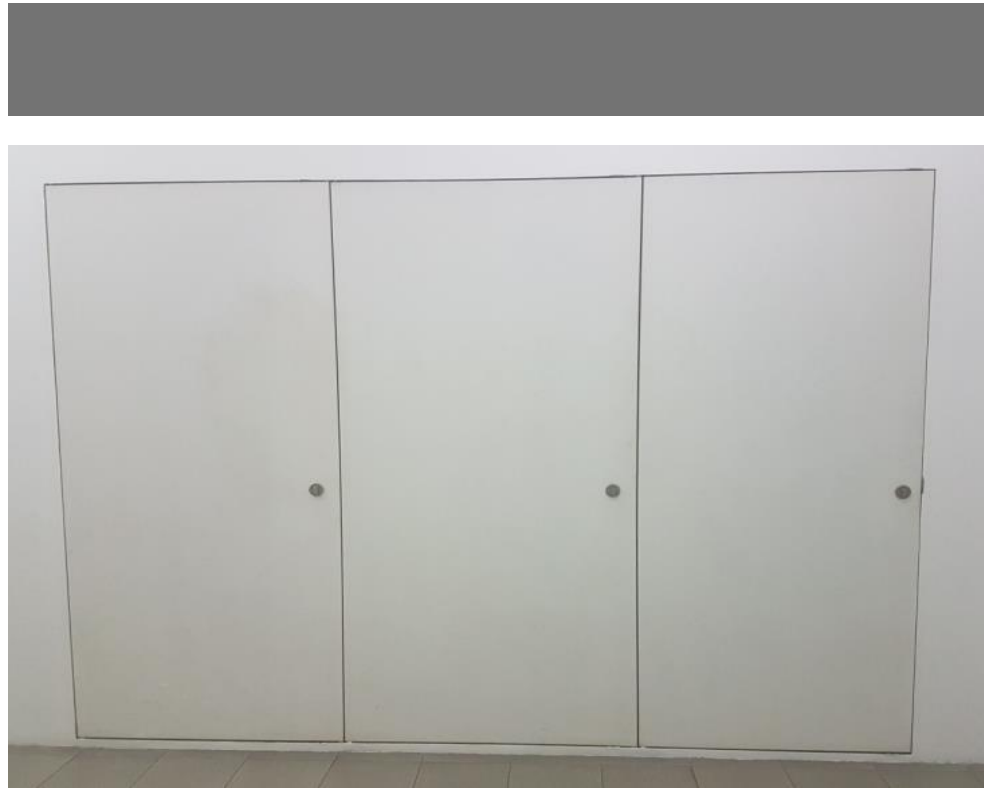
Weight: Leaf ~ 34.5 kg/m².

Max. Sizes: Single Leaf 1100 x 2283 mm
However, there is no limit to the total span of the door array.



SILHOUETTE

Frameless 2H Fire-Rated Steel Utility Doors



TACAM STEEL PTE LTD

Singapore: 541 Bt. Batok St 23, #07-00 Tacam Industrial Building, Singapore 659546. Tel +65 6665 7555; www.tacamsteel.com

Malaysia: B15-5 Jalan Selaman 1, Dataran Palma Off Jalan Ampang, 68000 Ampang, Selangor Darul Ehsan, Malaysia. Tel +603 4270 2267; Fax: +603 4270 2269