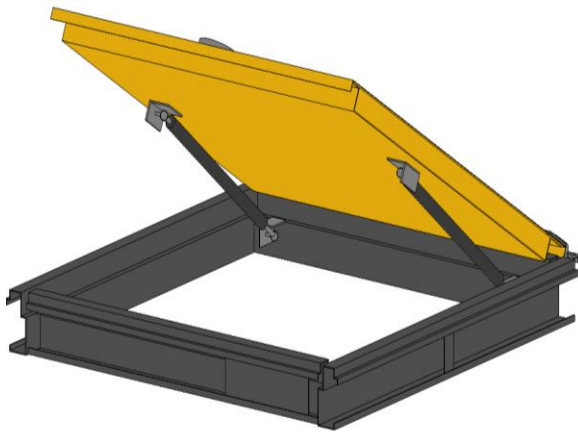


HATCH DOOR

4H Fire Rated Steel Hatch Doors



Fire Rating: Up to 4 hours, under BS 476:Part 22:1987

Panel: 47 mm thick panels formed from 1.0 mm electro-galvanised steel skin, with proprietary infill core and reinforced with internal stiffeners.

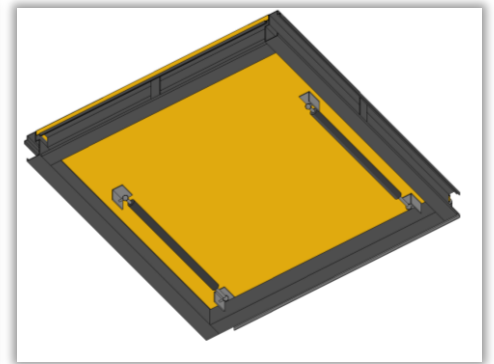
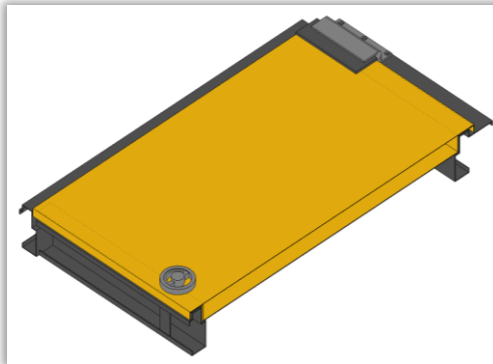
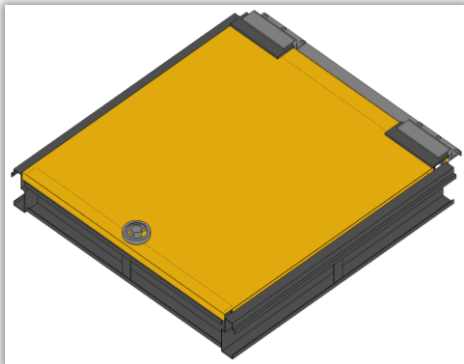
Frame: Formed from 1.5mm electro-galvanised steel skin, complete with mortar boxes and preparations for hinges, closer and strike plate.

Hardware: *Cup-ring pull handle and gas springs as well as Proprietary Tacam hinges included.*

Finish: Primer coat only unless otherwise specified.

Weight: Leaf ~100kg/m².

Max. Sizes: 1,000 x 1,000 mm



HATCH DOOR

4H Fire Rated Steel Hatch Doors



TACAM STEEL PTE LTD

Singapore: 541 Bt. Batok St 23, #07-00 Tacam Industrial Building, Singapore 659546. Tel +65 6665 7555; www.tacamsteel.com

Malaysia: B15-5 Jalan Selaman 1, Dataran Palma Off Jalan Ampang, 68000 Ampang, Selangor Darul Ehsan, Malaysia. Tel +603 4270 2267; Fax: +603 4270 2269