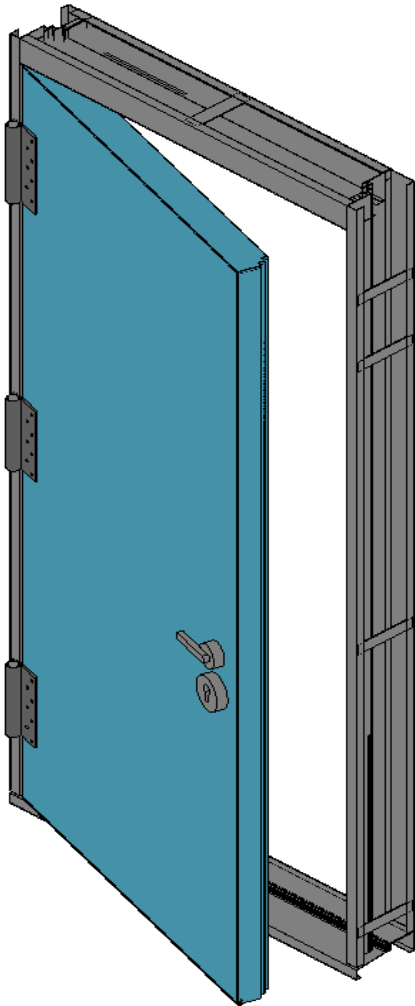


# ACOUSTISERIES

4H Fire-Rated Acoustic STC55 Steel Doors



**Fire Rating:** Up to 4 hours, under BS 476:Part 22:1987; ISO 3008; EN 1634; SS 332:2007

**Acoustic Rating:** STC 30 to 55, under ASTM E-90; ASTM E413; ISO 140

**Doorleaf:** 47 to 90 mm thick door leaves formed from 1.5 - 2.0 mm electro-galvanized (zinc-coated) or stainless steel skins, constructed with proprietary sound-attenuating concealed drop seal inside bottom edge.

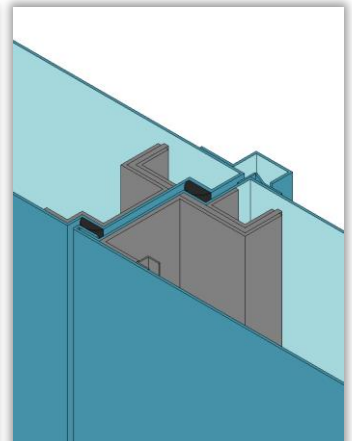
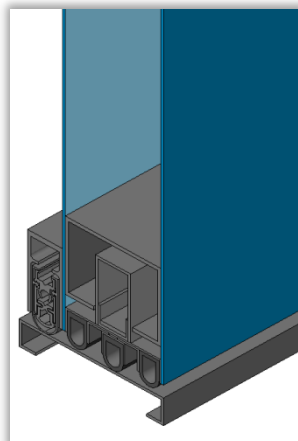
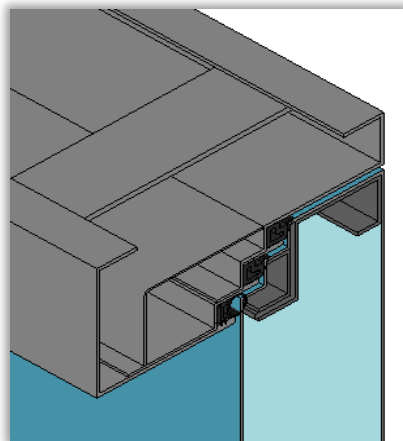
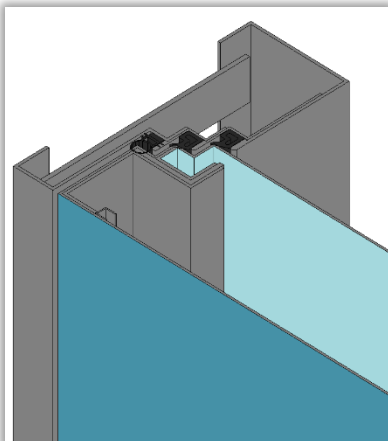
**Frame:** 1.5 mm electro-galvanized (zinc-coated) steel, welded and ground smooth, complete with mortar boxes. 3 or 4-sided frame is supplied with a proprietary uninterrupted seal arrangement.

**Finish:** Primer coat only unless otherwise specified.

**Hardware:** Proprietary 3 heavy duty hinges, one door-closer, and a mortise lockset. May require proprietary TACAM™ seal compression roller handle or Cremone lock.

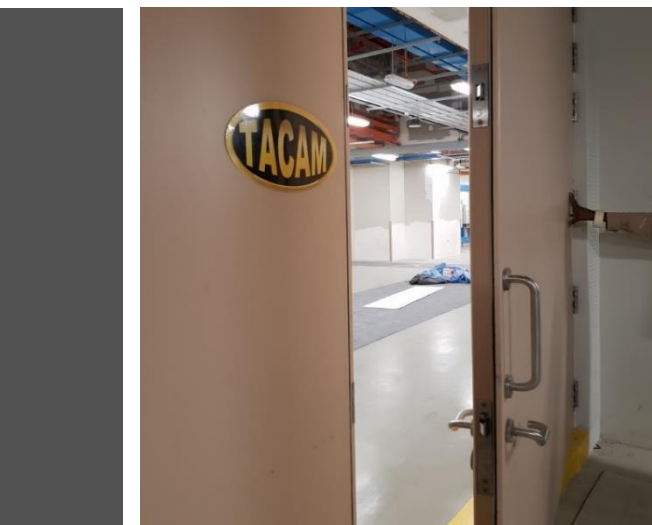
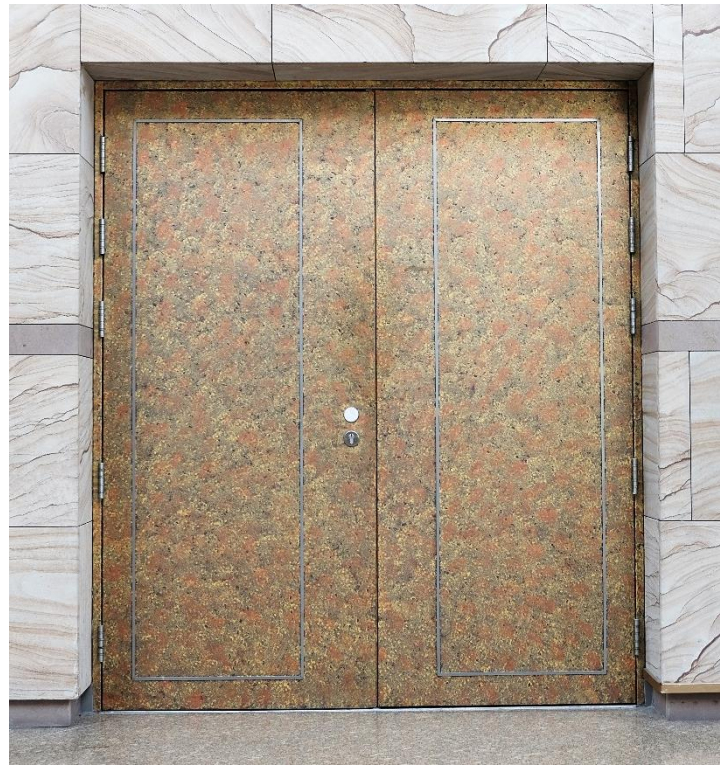
**Weight:** 35 ~ 70 kg/m<sup>2</sup>.

**Max. Sizes:** *Single Leaf* 1,300 x 2,400 mm  
*Double Leaf* 2,400 x 2,400 mm



# ACOUSTISERIES

4H Fire-Rated Acoustic STC55 Steel Doors



## TACAM STEEL PTE LTD